

8

7

6

5

4

3

2

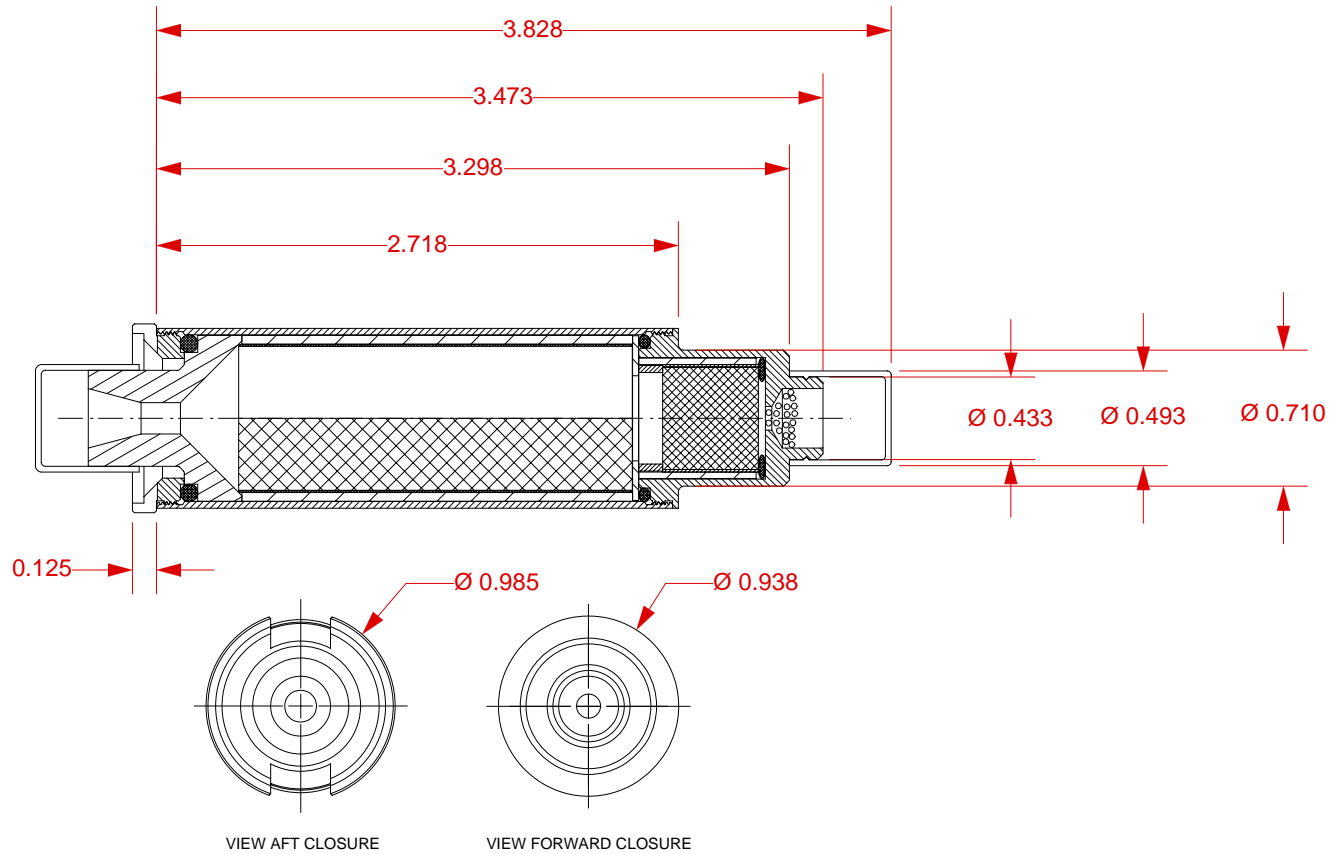
1

REVISIONS

EFFECTIVITY	REV	DESCRIPTION	DATE	APPROVED
FUTURE	A	FIRST RELEASE ISSUE	10/7/03	

NOTES:

1. MOTOR ASSEMBLY SHOWN WITH OVERALL EXTERIOR DIMENSIONS.



SUPPLIER DATA

USED IN THE FOLLOWING PRODUCTS

UNLESS OTHERWISE SPECIFIED DIMENSIONS ARE IN INCHES

QTY	PART NUMBER	DESCRIPTION	ITEM
LIST OF MATERIAL			
CONTRACT NUMBER		AEROTECH CONSUMER AEROSPACE 2113 W. 850 N. Street Cedar City, Utah 84720 (435) 865-7100 (Ph) (435) 865-7120 (Fax)	
PREP	B. ROSENFELD	10/03	
CHKR			
MATERIAL		RMS-24/40 MOTOR DIMENSIONAL DRAWING	
APVD		SIZE	NUMBER
APVD		A	ASSY DWG
FINISH		SCALE	1/1
PART NUMBER		SHEET 1 OF 1	

PART NUMBER	DESCRIPTION	PART NUMBER	DESCRIPTION

8

7

6

5

4

3

2

1